

RTT-111,CA/RTT-135,AA

DROP TRUNNION • EQUIPPED TO UTILIZE A VARIETY OF WORKHOLD SYSTEMS

For five axis machining, the RTT with its pallet system allows for unprecedented access (five sides) to the part. Parts that are held with vises, chucks, and clamps limit the access (up to four sides), thus decreasing the efficiency of the process. Because the RTT turns on center, shorter tools and less spindle travel is required. The uniqueness of the pallet system also creates a lower profile than parts that are held with vises, chucks, and clamps thus increases the rigidity. Two pneumatic rotary joints on the rotary axis allow automated clamping/un-clamping of a number of chuck & pallet system.



RTT-111,CA

RTT-111,CA

Drop Trunnion Rotary Table

HIGH SPEED
SMALL FOOTPRINT



3R Chuck & Pallet



Erowa Chuck & Pallet



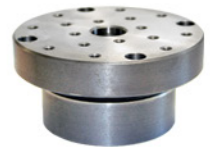
Northfield 5C



Northfield 2 Jaw Chuck
Northfield 3 Jaw Chuck



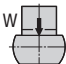
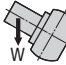
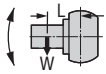
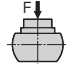
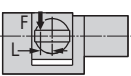
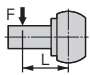
Hirschmann Chuck



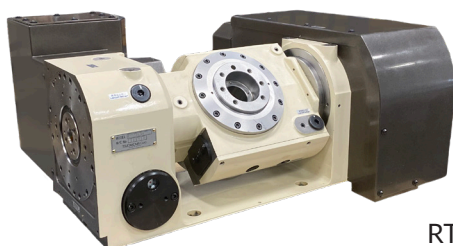
Standard Faceplate

Equipped to utilize a variety of workhold systems.



Model	RTT-111,CA		RTT-135,AA	
Tilt Range	-17° ~ +107°		-17° ~ +107°	
Spindle Output	See Options & Accessories		90h7	
Height at 0° position (w/out chuck)	mm	190	210 (235)	
Center height at 90° position	mm	190	150	
Guide block width	14h7		14h7	
Servo motor (Fanuc)*	Rotary	Tilt	Rotary	Tilt
	Alpha 2i	Alpha 2i	Alpha 2i	Alpha 2i
Maximum motor speed	rpm	5,000	5,000	5,000
Speed reduction ratio		1/60	1/120	1/120
Maximum table speed	rpm	83.3	41.7	83.3
Inertia converted into motor shaft	$\times 10^{-3} \text{kg} \cdot \text{m}^2$.074	.072	.105
Clamp system		Pneumatic Dual Taper	Pneumatic Dual Taper	Pneumatic Dual Taper
Clamp torque @72psi	Nm (ft. lbs.)	500 (369)	500 (369)	500 (369)
Indexing accuracy	arc sec.	±20	-	±20
Tilting accuracy	arc sec.	-	±30	-
Net Weight	kg (lbs.)	98 (216)	95 (209)	
Allowable wheel torque - rotary	Nm (ft. lbs.)	152 (112)	152 (112)	
Allowable work inertia	$\text{kg} \cdot \text{m}^2$.08	.08	
Allowable work weight kg (lbs)	 0° tilt angle	35 (77)	35 (77)	
	 0° ~ 90° tilt angle	20 (44)	20 (44)	
Allowable work moment	 Nm (ft. lbs.)	57 (42)	57 (42)	
Allowable load when table clamped	 N (lbf)	3,920 (878)	3,920 (878)	
	 Nm (ft. lbs.)	500 (369)	500 (369)	
	 Nm (ft. lbs.)	500 (369)	500 (369)	

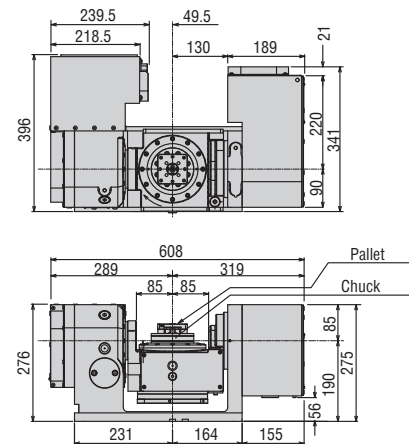
* Other motors & RPM available specifications subject to change without notice



RTT-135,AA

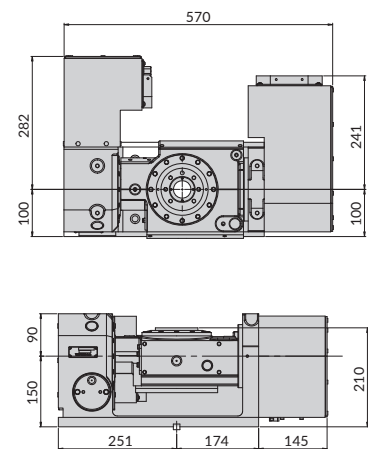
Dimensions Drawings not to scale • Dimensions = mm

RTT-111, CA



Dimensions Drawings not to scale • Dimensions = mm

RTT-135, AA



The dimensions above are for tables with a FANUC servo motor. Other motors available (dimensions may increase).

Options & Accessories

3R Chuck, Pallet & Draw Bar System	
Chuck	3R-600.86-30
70mm x 70mm Pallet	3R-601.7E-P
Draw Bar	3R-605.1
Erowa Chuck & Pallet System	
Chuck	ER-007625
Pallet	ER-032731
Northfield	
5C	TA-02900-00
4"-2 Jaw Chuck	call
4"-3 Jaw Chuck	TA-02970-00
Hirschmann	
Chuck	H6.11.10
Koma	
Face Plate	call